

YZ4F2

SETTING SHEET P040v1

CIRCUIT

- INDOOR OUTDOOR
- WET DRY DUSTY OTHER
- LOW TRACTION MED TRACTION HIGH TRACTION
- SMOOTH BUMPY BLUE GROOVE ASTROTURF
- CARPET WOOD

DRIVER _____

DATE / /

FRONT

CAMBER \leftrightarrow °
 TOE IN OUT °

Z2-300FU
 Z2-300FLO Z2-300FL5
 B2-300FL(Steel)

0°
 2.5°
 5°

mm

SPRING
 YELLOW (YS-A875)

OIL
 # _____
 #1 #2 #3
 mm X

REAR

CAMBER \leftrightarrow °

Shocks on front of arm
Shocks on rear if arm

S M L

mm

SPRING
 GREEN (YS-A1200)

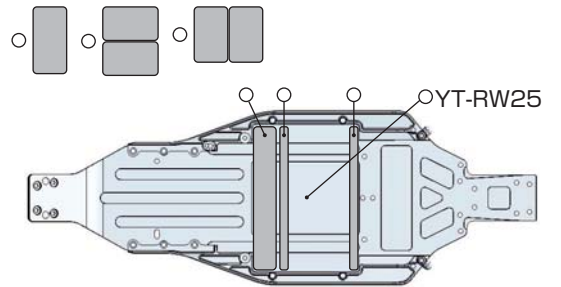
OIL
 # _____
 #1 #2 #3
 mm X

DRIVE



MOTOR \rightarrow _____ Bonded Sintered _____ mm
 GEAR \rightarrow Spur T / Pinion T : 2.6
 BATTERY \rightarrow _____
 ESC Racing Performer X Series

Battery placement

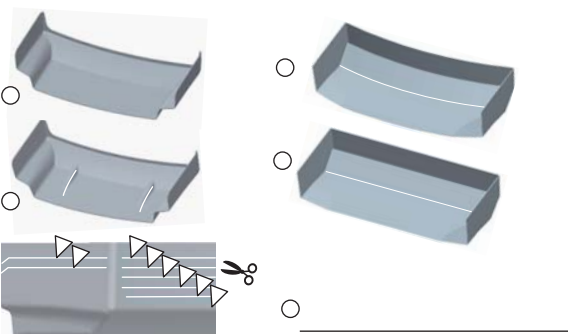


TIRE

FRONT
 TIRE \rightarrow _____
 INSERTS \rightarrow _____
 WHEELS \rightarrow _____

REAR
 TIRE \rightarrow _____
 INSERTS \rightarrow _____
 WHEELS \rightarrow _____

OTHER



COMMENT
